

ASSEMBLY INSTRUCTION

OCTI



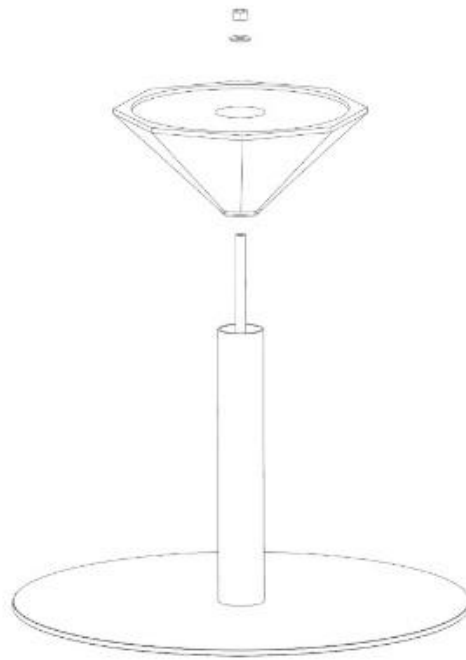
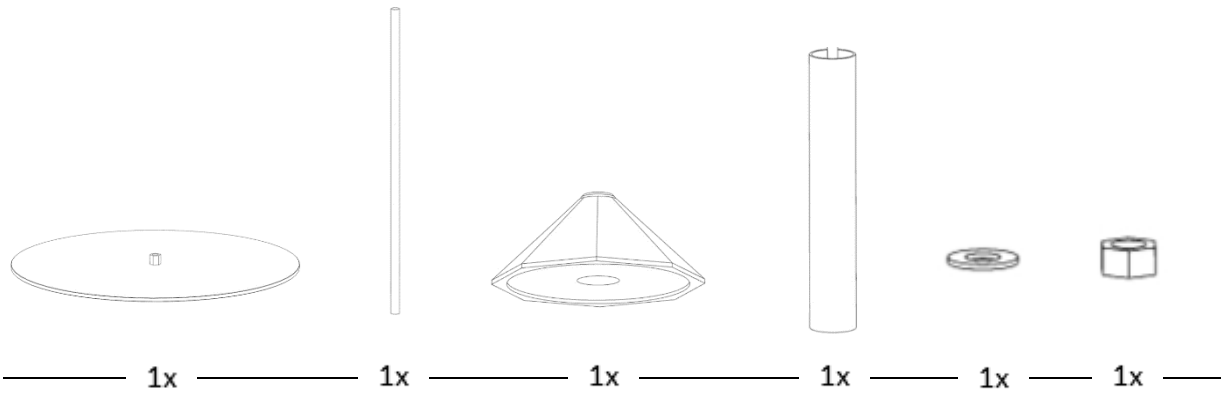
BEBO OBJECTS

WWW.BEBOOBJECTS.COM



ASSEMBLY INSTRUCTION

OCTI



STEP BY STEP

1. Put the tabletop upside down on a soft material that cannot scratch the surface of the table.
2. Mount the rod in the tabletop.
3. Put the tube over the rod.
4. Place the base over the rod so it leans on the tube.
5. Put the nut washer first and then the screw-nut and tighten with a wrench.

BEBO OBJECTS

WWW.BEBOOBJECTS.COM

